



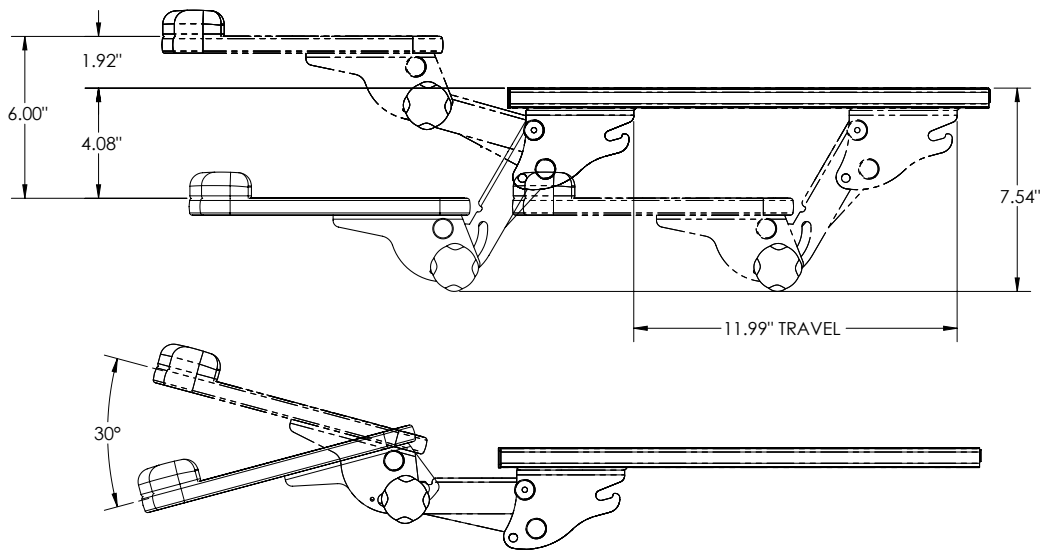
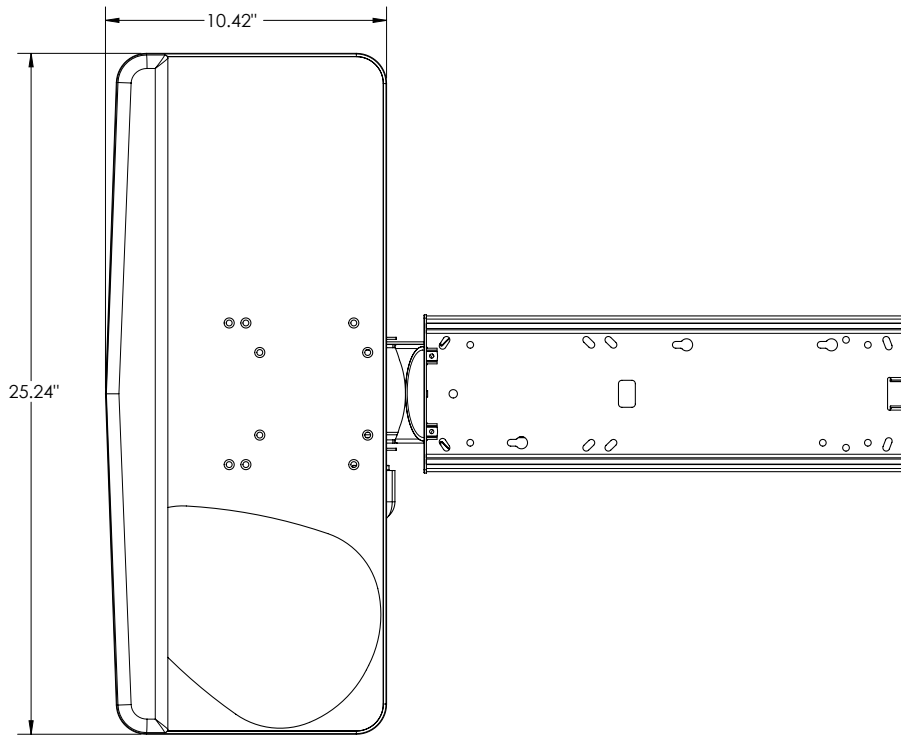
SD-04-18

*Value Adjustable
Keyboard Arm /
Keyboard Mouse
Platform*

Full functioning entry level arm with full 25" wide melamine keyboard/mouse tray and palm rest.

KV AKP25-2T18 & PB2524

Features	Benefits
Soft touch knob for height adjustment and 30° of total tray tilt adjustment ±15°	Easy to use, all-in-one adjustment for positive and negative tilt angles
Height adjustment range of 1.9" above and 4.1" below mounting surface	Provides ample height adjustment for the seated worker
360° of swivel	Keyboard can be swiveled out of the way
18" track with EZ-Glide system	Full storage with minimal effort
Spring assisted to counterbalance keyboard weight	Smooth height adjustment for precise keyboard placement
25.2" wide x 10.5" deep x 0.6" thick keyboard/mousing platform	Supports all keyboard styles, move keyboard left or right for correct mousing requirements
Black melamine keyboard/mousing surface with removable padded palm rest	Durable surfaces for easy cleaning with a comfortable PVC free padded palm rest
Integrated mouse are	For right- or left -hand mousing

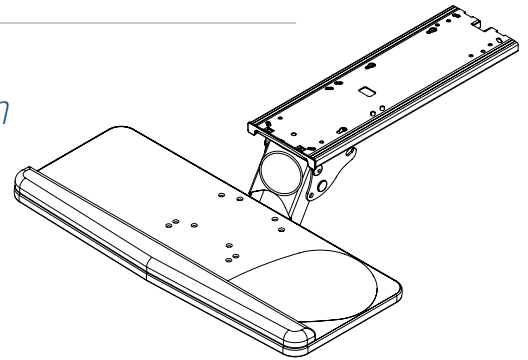


Value Adjustable Keyboard Arm with Keyboard Mouse Platform

Ancillary Products:

- Use with Knape & Vogt Waterloo CPU Holders
- For flat panel displays, specify the Concerto flat panel support system

Model	Height Range Above/Below Mounting Surface	Tilt	Tray Depth & Width	Tray Thickness	Travel	Track Size
SD-04-18	1.9"/-4.1"	+15°/-15°	10.5" x 25.2"	0.6"	12"	18"



Notes: 1. Weight = packaged shipping weight per unit. 2. Specifications are subject to change without notice.



2700 Oak Industrial Dr. NE
 Grand Rapids, MI 49505-6026 USA
 1.800.253.1561 | 616.459.3311
 Fax: 877.636.3290
 www.kv.com

This and other KV literature is available for download at www.kv.com > Resource Library

Knape & Vogt reserves the right to change product specifications at any time without notice and without incurring responsibility for existing units.
 ©2018 Knape & Vogt. KV and the KV logo are trademarks of Knape & Vogt.

0L3075/0418