



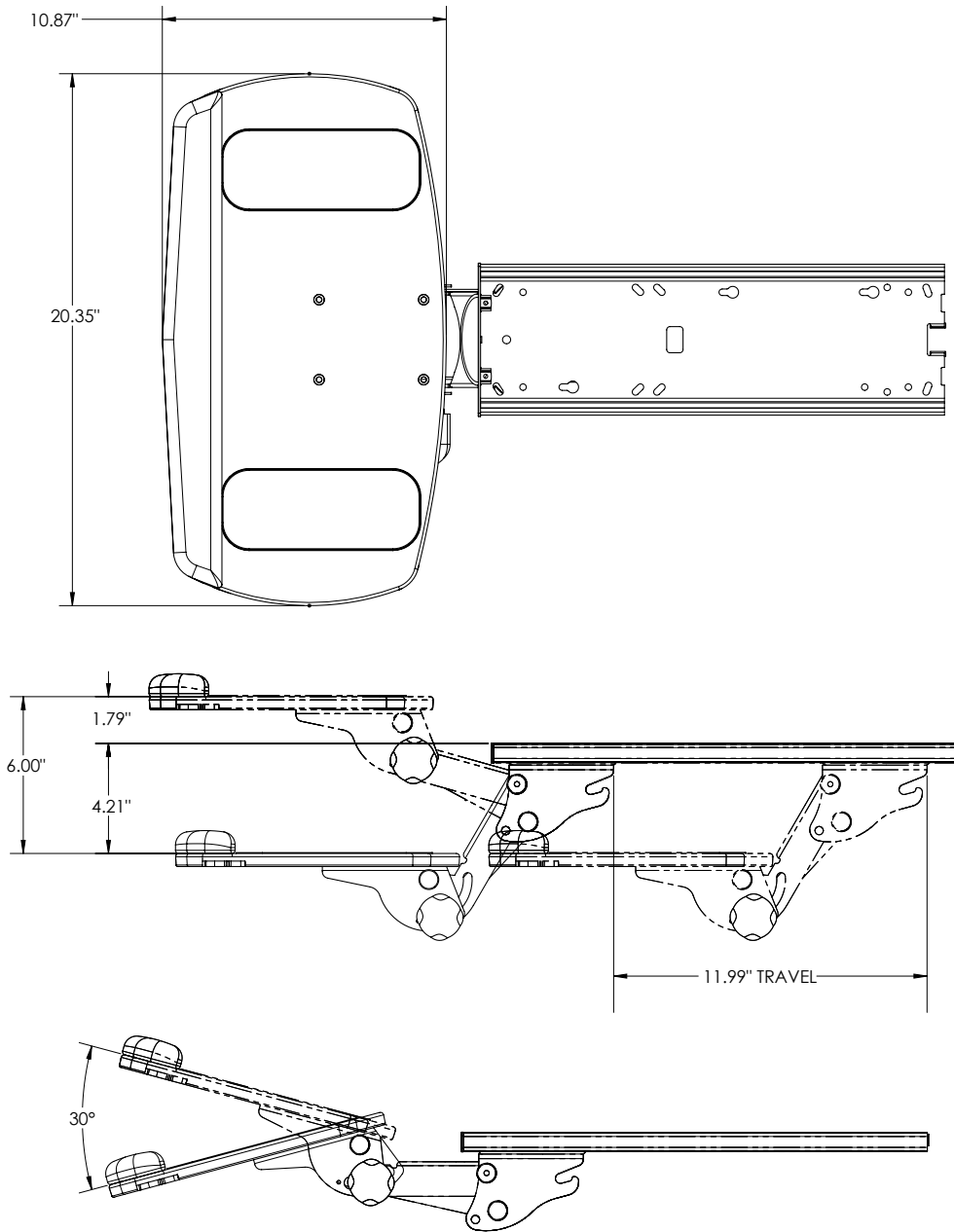
SD-2

*Value Adjustable
Keyboard Arm /
Comfort Keyboard
Tray with Palm Rest*

Full functioning entry level arm with a keyboard tray and palm rest, all for an economical price.

KV AKP35-2T18 & PZ1824

Features	Benefits
Soft touch knob for height adjustment and 30° of total tray tilt adjustment ±15°	Easy to use, all-in-one adjustment for positive and negative tilt angles
Height adjustment range of 1.8" above and 4.2" below mounting surface	Provides ample height adjustment for the seated worker
360° of swivel	Keyboard can be swiveled out of the way
18" track with EZ-Glide system	Full storage with minimal effort
Spring assisted to counterbalance keyboard weight	Smooth height adjustment for precise keyboard placement
20.4" wide x 10.9" deep x 1" thick molded keyboard platform	Supports all keyboard styles, move keyboard left or right for correct mousing requirements
Molded black plastic resin surface	Durable surfaces for easy cleaning
Anti-skid strips on keyboard tray	Holds keyboard in place when typing
Mounting hardware provided	Quick and easy installation

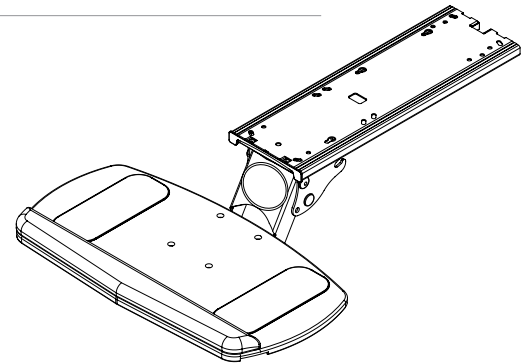


Value Adjustable Keyboard Arm with Comfort Keyboard Tray

Ancillary Products:

- Use with Knap & Vogt Waterloo CPU Holders
- For flat panel displays, specify the Concerto flat panel support system
- Accepts the OMN swivel only mouse tray

Model	Height Range Above/Below Mounting Surface	Tilt	Tray Depth & Width	Tray Thickness	Travel	Track Size
SD-2	1.8"/-4.2"	+15°/-15°	10.9" x 20.4"	1.0"	12"	18"



Notes: 1. Weight = packaged shipping weight per unit. 2. Specifications are subject to change without notice.



2700 Oak Industrial Dr. NE
 Grand Rapids, MI 49505-6026 USA
 1.800.253.1561 | 616.459.3311
 Fax: 877.636.3290
 www.kv.com

This and other KV literature is available for download at www.kv.com > Resource Library

Knap & Vogt reserves the right to change product specifications at any time without notice and without incurring responsibility for existing units.
 ©2018 Knap & Vogt. KV and the KV logo are trademarks of Knap & Vogt.

OL3074/0418