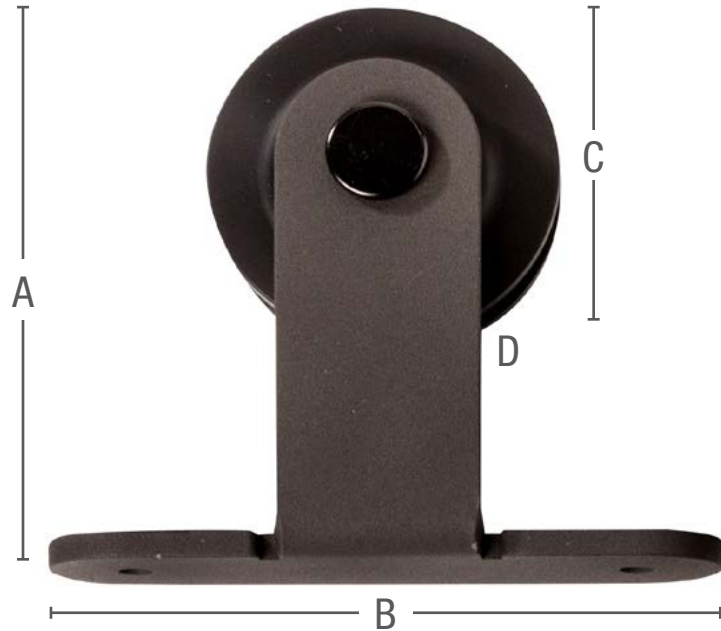


Top Mount Kit

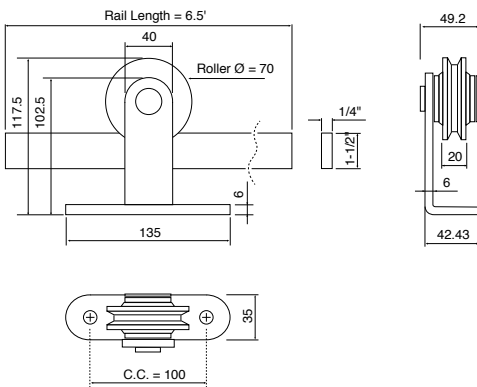
Steel Flat Rail
Top Mount



Kit Part Number	Finish
FR-BTM-72	Black
FR-BTM-96	Black
FR-BZTM-72	Bronze
FR-BZTM-96	Bronze
FR-SSTM-72	Stainless Steel
FR-SSTM-96	Stainless Steel

Carrier Dimensions

- Top of rail to top of carrier 3"
- A. Overall length of strap and wheel 4-1/4"
- B. Width of strap 5-1/4"
- C. Wheel diameter 2-3/4"
- D. Wheel thickness 3/4"



KNAPE & VOGT

2700 Oak Industrial Dr. NE
Grand Rapids, MI 49505-6026 USA
1.800.253.1561 | 616.459.3311
Fax: 877.636.3290
www.kv.com

This and other KV literature is available for download at www.kv.com > Resource Library

Knappe & Vogt reserves the right to change product specifications at any time without notice and without incurring responsibility for existing units.
©2018 Knappe & Vogt. KV and the KV logo are trademarks of Knappe & Vogt.

OL3071/0318