

7920S

Concerto

The 7920S Concerto fills the need in today's office for flat panel display support that can adapt to a wide variety of configurations and applications. The economical dual screen, double extension monitor arms give the user the ability to quickly find the ultimate ergonomic position for the flat panel display at an affordable price.

7900 series

Features & Benefits

Double Extension models allow 20" of back and forth movement. Arm folds back to post for more desk space.

The Concerto supports a 20 lbs load capacity (per screen)

Options are available for panel, wall and slatwall mounting configurations

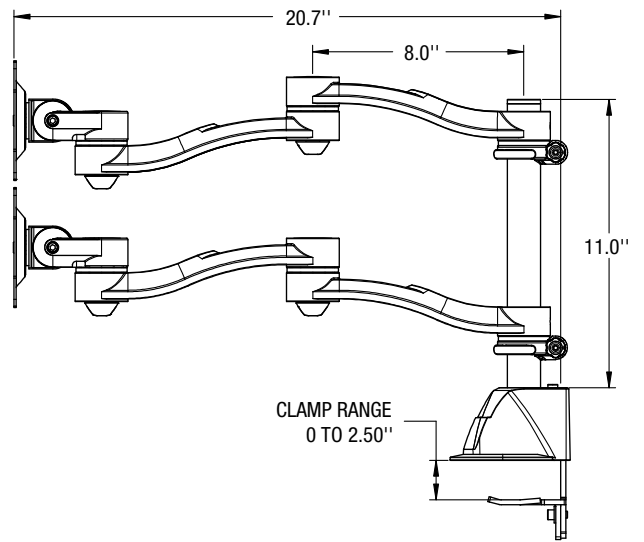
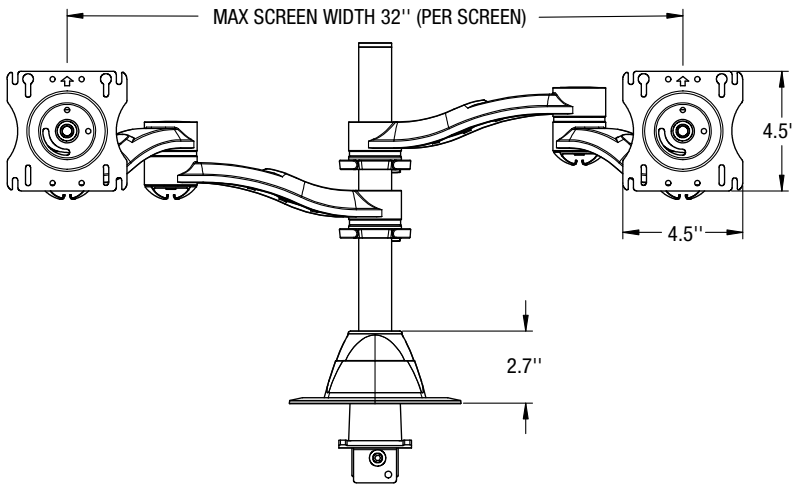
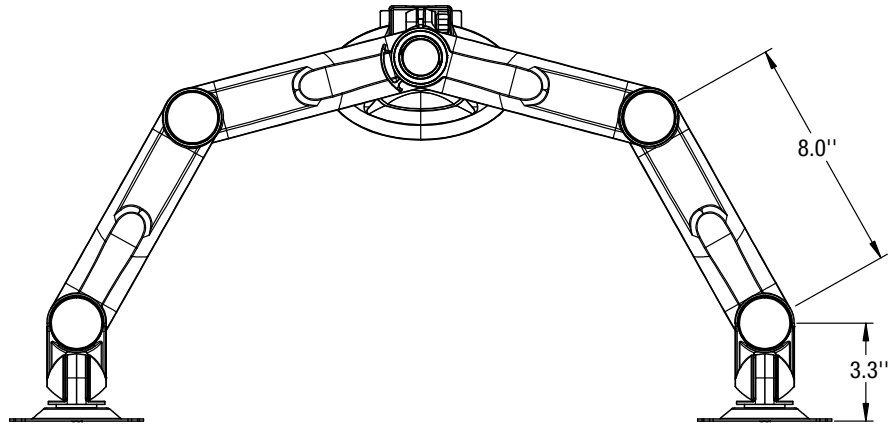
Desk clamp and grommet mount hardware are included to minimize SKUs

Clamp and grommet adjustable to fit most desks and work surfaces

Monitor mounting bracket, with Quick Connect, contains both 75mm and 100mm hole patterns to comply with VESA standards

Pole allows manual height adjustment through a 11" range

Allows for a maximum 32" screen width

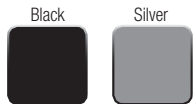


Concerto Monitor Arm 7900 series

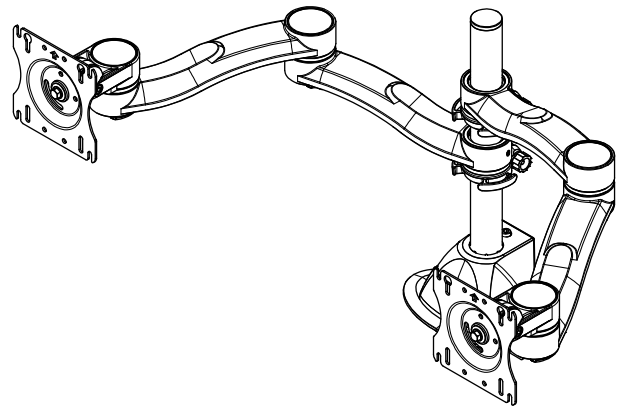
Model	Description
7920S	Dual-Screen, two Double-Extension Arms per screen

Color Options

To specify color, other than silver, replace the "S" in the part number with: **B** = Black



For example, to get a "7920S" in white, order 7920B.



Notes: 1. Weight = packaged shipping weight per unit. 2. Specifications are subject to change without notice.



2700 Oak Industrial Dr. NE
 Grand Rapids, MI 49505-6026 USA
 1.800.253.1561 | 616.459.3311
 Fax: 877.636.3290
www.kv.com

This and other KV literature is available for download at www.kv.com > Resource Library

Knap & Vogt reserves the right to change product specifications at any time without notice and without incurring responsibility for existing units.
 ©2018 Knap & Vogt. KV and the KV logo are trademarks of Knap & Vogt.