

Heavy-Duty

200 lb. Load Class

3/4" Side Clearance

Max. Drawer Width: 42"



8810 Heavy-Duty Full Extension Drawer Slide

The 8810 Heavy-Duty Full Extension Drawer Slide is designed to accommodate wider and heavier drawers for today's challenging applications in the commercial, residential and educational markets.

Applications

- Wood residential, commercial and office furniture
- Architectural, laboratory and school casework
- Store fixtures, medical carts
- Residential kitchen cabinetry

Specifications

Model: 8810 Heavy-Duty Full Extension Drawer Slide

Mounting: Side

Disconnect: Butterfly Lever Release

Hole Pattern: 32mm and Traditional

Face Frame Mounting: Slide must be blocked out. See Face Frame diagram. Do not use rear bracket.

Type: Ball-Bearing, Telescopic

Travel: Full Extension

Finish: Zinc Plated

Length: 10", 12", 14", 16", 18", 20", 22", 24", 26", 28"

Clearance: .75" +.03" - 0" on each side

Height: 2.09" [53mm]

Packaging: Bulk Pack (8810B): all sizes - 4 pair per carton

Slide Configuration: Unhanded

Rating

Load: 200 lb.

Max. Drawer Width: 42"

Flat Load Rating: 100 lb.- load rating based on an 18" slide mounted in a 24" wide drawer cycled 10,000 times.

As with all Knap & Vogt drawer slides, the 8810 is designed to meet or exceed ANSI performance standards established by BIFMA, BHMA and KCMA.

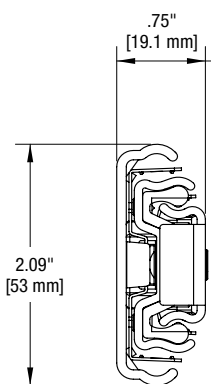
Hardware

#8 or #10 x 5/8" Phillips Flathead

Warranty

Limited Lifetime Warranty

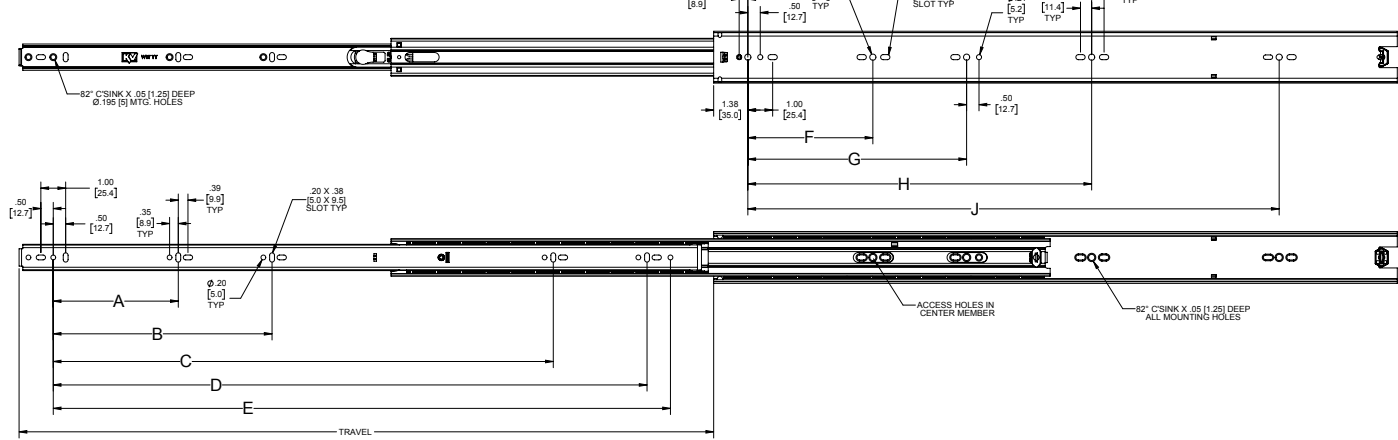
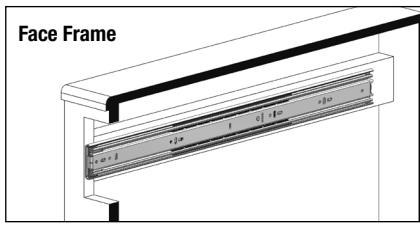
Profile



Clearance

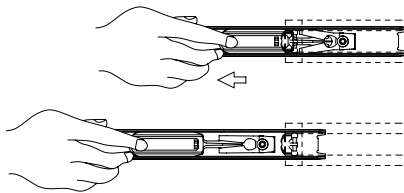
3/4" + 1/32" - 0"
.75" + .03" - 0"
19.1mm + .8mm - 0mm

Charted Information



SKU Number	Slide Size inch/mm	Length inch/mm	Travel inch/mm	A inch/mm	B inch/mm	C inch/mm	D inch/mm	E inch/mm	F inch/mm	G Inch/mm	H Inch/mm	J Inch/mm
8810B 10	10" [250mm]	9.84" [250mm]	10" [254mm]	-	-	-	-	7.16" [182mm]	5.04" [128mm]	-	-	-
8810B 12	12" [300mm]	11.81" [300mm]	12" [305mm]	-	-	-	-	9.13" [232mm]	5.04" [128mm]	8.82" [224mm]	-	-
8810B 14	14" [350mm]	13.78" [350mm]	14" [356mm]	-	-	-	10.08" [256mm]	-	6.30" [160mm]	8.82" [224mm]	-	-
8810B 16	16" [400mm]	15.75" [400mm]	16" [406mm]	-	-	-	11.34" [288mm]	-	-	8.82" [224mm]	12.60" [320mm]	-
8810B 18	18" [450mm]	17.72" [450mm]	18" [457mm]	5.04" [128mm]	-	-	12.60" [320mm]	-	5.04" [128mm]	8.82" [224mm]	13.86" [352mm]	-
8810B 20	20" [500mm]	19.69" [500mm]	20" [508mm]	5.04" [128mm]	-	-	15.12" [384mm]	-	5.04" [128mm]	8.82" [224mm]	-	16.38" [416mm]
8810B 22	22" [550mm]	21.65" [550mm]	22" [559mm]	5.04" [128mm]	-	-	16.38" [416mm]	-	5.04" [128mm]	11.43" [256mm]	13.86" [352mm]	17.64" [448mm]
8810B 24	24" [600mm]	23.62" [600mm]	24" [610mm]	5.04" [128mm]	8.82" [224mm]	16.38" [416mm]	20.16" [512mm]	-	5.04" [128mm]	-	13.86" [352mm]	18.90" [480mm]
8810B 26	26" [650mm]	25.59" [650mm]	26" [660mm]	5.04" [128mm]	8.82" [224mm]	-	20.16" [512mm]	-	5.04" [128mm]	8.82" [224mm]	13.86" [352mm]	21.42" [544mm]
8810B 28	28" [700mm]	27.56" [700mm]	28" [711mm]	5.04" [128mm]	8.82" [224mm]	20.16" [512mm]	23.94" [608mm]	-	5.04" [128mm]	8.82" [224mm]	13.86" [352mm]	21.42" [544mm]

Butterfly Lever Release



KNAPE & VOGT.

2700 Oak Industrial Dr. NE
Grand Rapids, MI 49505-6026 USA
1.800.253.1561 | 616.459.3311
Fax: 877.636.3290
www.kv.com

Knap & Vogt reserves the right to change product specifications at any time without notice and without incurring responsibility for existing units.

©2018 Knap & Vogt. KV and the KV logo are trademarks of Knap & Vogt.

OL2984/0318