



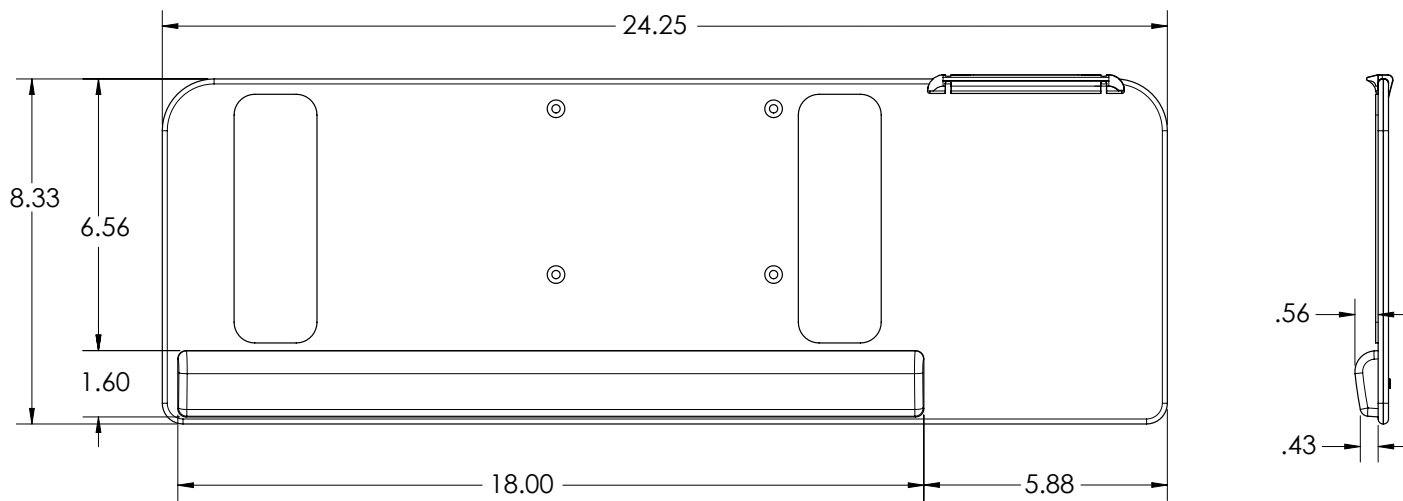
6731D49

All-In-One Mini Keyboard Tray

The 6731D49 Mini All-In-One keyboard tray, developed to provide a keyboard and mouse support solution where storage space may be limited. The reduced keyboard depth and width is beneficial in tight corner work stations where a wide keyboard and mousing surfaces may not be practical.

When coupled with the KV Tenor, Aria or Staccato, an ideal solution can be configured to provide an arm and keyboard pairing to overcome storage issues on benching systems or height adjustable tables.

Features	Benefits
Manufactured from graphite Phenolic	Strong & durable with decorative finish
Tray size 24.25" long x 8.33" deep x ¼" thick	Less storage space required, provides ample room for keyboard and mouse
User installable self-adhesive anti slip-pads	Prevents keyboard slippage, configurable for Left or right hand usage
Plug in Gel-Foam palm rest 18" long x 1.7" deep x 0.63" high	Removable for cleaning or large wave type keyboards, configurable for left or right usage
Removable Mouse fence with built-in cable manager	Adjusts for ambidextrous mousing. Prevents mouse for sliding off surface & keeps cables tidy



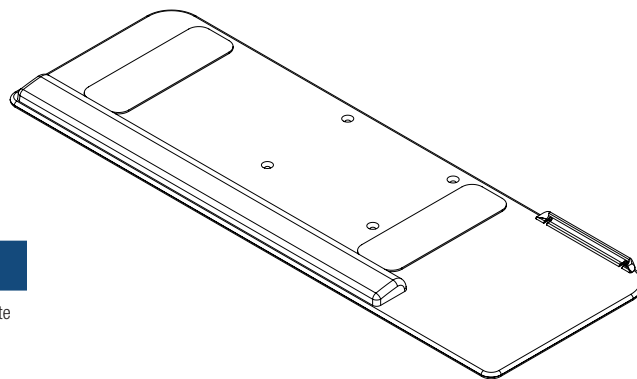
All-In-One Mini Keyboard Tray

6731D49

Ancillary Products:

- Use with Knap & Vogt Tenor, Aria or Staccato Arms
- Ideal for the Knap & Vogt Allegretto height adjustable tables
- For Flat Panel Displays use the Knap & Vogt Concerto, Tempo or Xtend series of monitor supports

Model	Tray Material	Width	Depth	Thickness	Palm Rest	Weight	Color
6731D49	Phenolic	24.25"	8.33"	0.25"	Gel Foam	2.50 lbs.	Graphite



Notes: 1. Weight = packaged shipping weight per unit. 2. Specifications are subject to change without notice.



2700 Oak Industrial Dr. NE
 Grand Rapids, MI 49505-6026 USA
 1.800.253.1561 | 616.459.3311
 Fax: 877.636.3290
 www.kv.com

This and other KV literature is available for download at www.kv.com > Resource Library

Knap & Vogt reserves the right to change product specifications at any time without notice and without incurring responsibility for existing units.
 ©2016 Knap & Vogt. KV and the KV logo are trademarks of Knap & Vogt.

0L2969/1116