

Medium-Duty

100 lb. Load Class

1/2" Side Clearance

Max. Drawer Width: 24"



8400 Full Extension Box or File Drawer Slide

The 8400 Full Extension Drawer Slide is designed to be used in wood cabinetry, furniture and casework. This industry workhorse has an unhandled design, traditional and 32mm hole patterns, and a push-in drawer release lever. These features make for quick installation and easy drawer removal.

Applications

- Wood residential and commercial furniture
- Kitchen & Bath Cabinets
- Store Fixtures

Specifications

Model: 8400 Full Extension Drawer Slide

Mounting: Side

Disconnect: Lever Release

Hole Pattern: 32mm and Traditional

Face Frame Mounting: Yes

Type: Ball-Bearing

Travel: Full Extension

Finish: Anochrome, Ebony Black, White

Length: 6", 8", 10", 12", 14", 16", 18", 20", 22", 24", 26", 28"

Clearance: .50" + .03"-0" on each side

Height: 1.79" [45.5mm]

Packaging: Bulk Pack (8400B): all sizes - 10 pair per carton

Poly Pack (8400P): all sizes - 10 pair per carton

Q Pack (8400Q): all sizes - 50 pair, multiple carton

Action: Telescopic

Slide Configuration: Unhandled

Rating

Load: 100 lb.

Max. Drawer Width: 24"

As with all Knap & Vogt drawer slides, the 8400 is designed to meet or exceed ANSI performance standards as established by BIFMA, BHMA and KCMA.

Accessories

8401: Rear Mounting Bracket

8402: Rear Mounting Bracket

8404: Front Face Frame Bracket

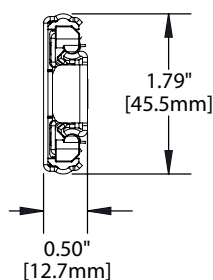
Hardware

#7 x 1/2" Phillips Pan Head

Warranty

Limited Lifetime Warranty

Profile



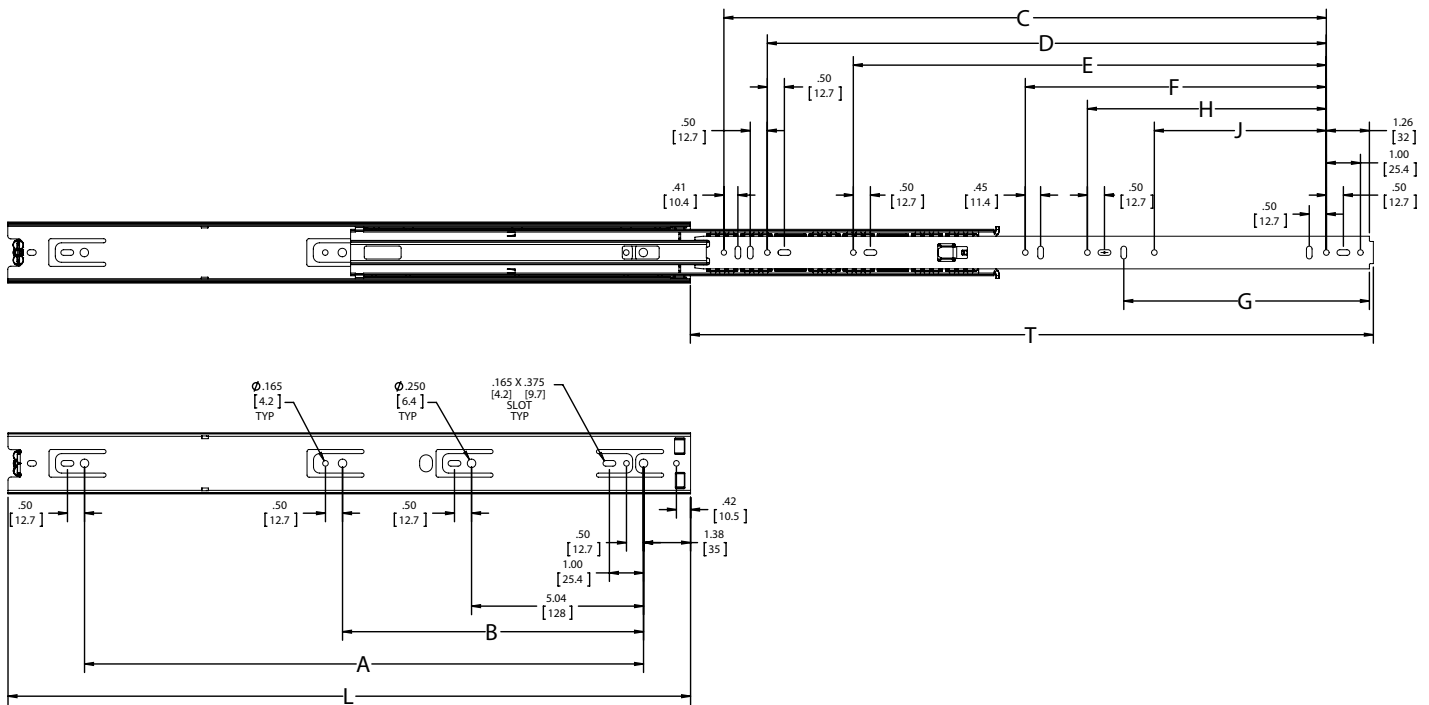
Clearance

1/2" + 1/32"-0"

.50" + .03"- 0"

12.7mm + .8mm - 0mm

Charted Information



SKU Number*	Slide Size inch/mm	Length inch/mm	Travel inch/mm	A inch/mm	B inch/mm	C inch/mm	D inch/mm	E inch/mm	F inch/mm	G Inch/mm	H Inch/mm	J Inch/mm
8400B 6	6" [152.4mm]	6" [152.4mm]	6" [152.4mm]	-	2.52" [64mm]	-	-	-	1.40" [35.6mm]	-	-	-
8400B 8	8" [203.2mm]	8" [203.2mm]	8" [203.2mm]	-	-	5.65" [143.5mm]	-	-	2.82" [71.6mm]	-	-	-
8400B 10	10" [254mm]	10" [254mm]	10" [254mm]	-	-	7.65" [194.31mm]	-	-	3.82" [97mm]	-	-	-
8400B 12	12" [304.8mm]	12" [304.8mm]	12" [304.8mm]	-	8.82" [224mm]	-	8.82" [224mm]	-	4.82" [122.4mm]	-	-	-
8400B 14	14" [355.6mm]	14" [355.6mm]	14" [355.6mm]	-	8.82" [224mm]	11.65" [295.9mm]	8.82" [224mm]	-	-	7.08" [179.8mm]	-	5.04" [128mm]
8400B 16	16" [406.4mm]	16" [406.4mm]	16" [406.4mm]	12.60" [320mm]	8.82" [224mm]	-	12.60" [320mm]	-	6.82" [173.2mm]	7.08" [179.8mm]	-	5.04" [128mm]
8400B 18	18" [457.2mm]	18" [457.2mm]	18" [457.2mm]	13.86" [352mm]	8.82" [224mm]	15.65" [397.5mm]	13.86" [352mm]	-	7.82" [198.6mm]	7.08" [179.8mm]	-	5.04" [128mm]
8400B 20	20" [508mm]	20" [508mm]	20" [508mm]	16.38" [416mm]	8.82" [224mm]	17.65" [448.3mm]	16.38" [416mm]	13.86" [352mm]	8.82" [225mm]	7.08" [179.8mm]	-	5.04" [128mm]
8400B 22	22" [558.8mm]	22" [558.8mm]	22" [558.8mm]	18.90" [480mm]	8.82" [224mm]	-	18.90" [480mm]	13.86" [352mm]	9.82" [249.4mm]	7.08" [179.8mm]	8.82" [225mm]	5.04" [128mm]
8400B 24	24" [609.6mm]	24" [609.6mm]	24" [609.6mm]	18.90" [480mm]	8.82" [224mm]	21.65" [549.9mm]	18.90" [480mm]	16.38" [416mm]	10.82" [274.8mm]	7.08" [179.8mm]	8.82" [225mm]	5.04" [128mm]
8400B 26	26" [660.4mm]	26" [660.4mm]	26" [660.4mm]	22.68" [576.1mm]	8.82" [224mm]	-	22.68" [576.1mm]	16.38" [416mm]	11.82" [300.2mm]	7.08" [179.8mm]	8.82" [225mm]	5.04" [128mm]
8400B 28	28" [711.2mm]	28" [711.2mm]	28" [711.2mm]	23.94" [608.1mm]	8.82" [224mm]	25.65" [651.5mm]	23.94" [608.1mm]	16.38" [416mm]	12.82" [325.6mm]	7.08" [179.8mm]	8.82" [225mm]	5.04" [128mm]

*Also available in Poly Pack (eg, 8400P 8, etc.)

**Also available in Q Pack (eg, 8400Q 10, etc.)



KNAPE & VOGT

2700 Oak Industrial Dr. NE
Grand Rapids, MI 49505-6026 USA
1.800.253.1561 | 616.459.3311
Fax: 877.636.3290
www.kv.com

This and other KV literature is available for download at www.kv.com > Resource Library

Knap & Vogt reserves the right to change product specifications at any time without notice and without incurring responsibility for existing units.

©2015 Knap & Vogt. KV and the KV logo are trademarks of Knap & Vogt.

OL2806/0916