

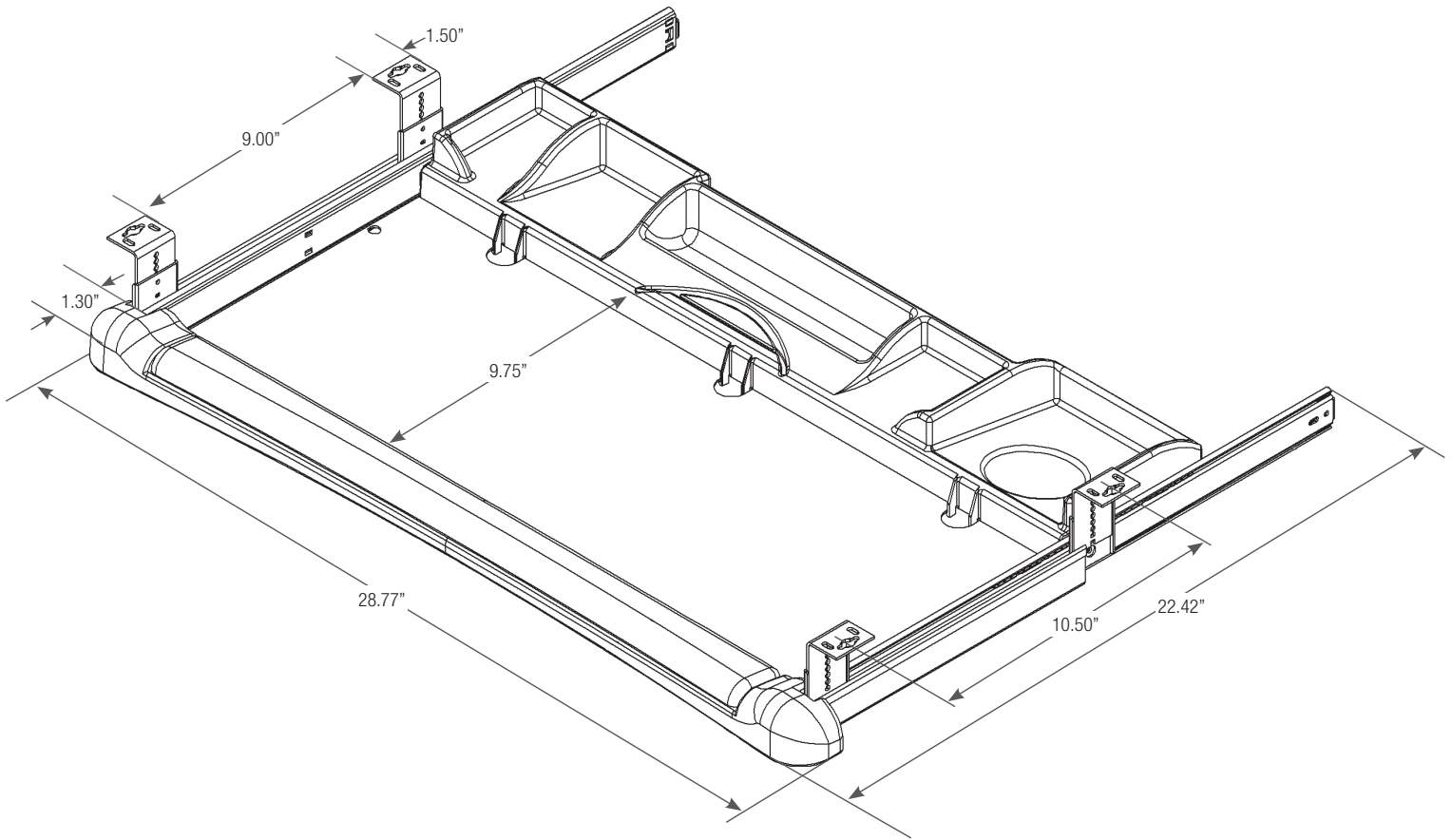


KD-1020

KD-1020

Wide Keyboard Drawer with Integral Mousing Surface, Palm Rest & Rear Storage Compartment

Features	Benefits
Wide steel keyboard tray 25.8" wide x 10.0" deep (inside dimension)	Large drawer area provides ambidextrous mousing surface inside tray
Lycra covered Gel Palm rest	Gel Palm rest providing typing comfort
Injection molded accessory tray with extended slides	Compartmentalised accessory tray attaches to rear of tray. Large 25.0" x 5.0" storage area
Precision Ball Bearing Slides with detent feature	Smooth drawer opening and retraction with hold out feature
Adjustable drop height feature provided on slide brackets	Height adjustments for ergonomic adjustment of drawer under work surface
Mounting hardware provided	Quick and easy installation



Note: Brackets mount in outboard position under work surface for application widths 29" or greater, and in the inboard position for widths less than 26.75"

KD-1020

Wide Keyboard Drawer with Integral Mousing Surface, Palm Rest & Rear Storage Compartment

Ancillary Products:

- Use with Knape & Vogt CPU holders
- For flat panel displays, use the KV Concerto or Xtend series of monitor supports

Model	Keyboard Drawer Width	Keyboard Drawer Depth	Load Rating	Material	Weight
KD-1020	25.8"	10.0"	75.0 lbs	Painted Steel (Black)	14.4 lbs

Black



Code Compliance:
Exceeds ANSI/BIFMA standards

Notes: 1. Weight = packaged shipping weight per unit. 2. Specifications are subject to change without notice.



2700 Oak Industrial Dr. NE
Grand Rapids, MI 49505-6026 USA
1.800.253.1561 | 616.459.3311
Fax: 877.636.3290
www.kv.com

This and other KV literature is available for download at www.kv.com > Resource Library

Knape & Vogt reserves the right to change product specifications at any time without notice and without incurring responsibility for existing units.
©2017 Knape & Vogt. KV and the KV logo are trademarks of Knape & Vogt.

OL2626/0717