

Touch Screen Fusion Mount



Intelligently Designed

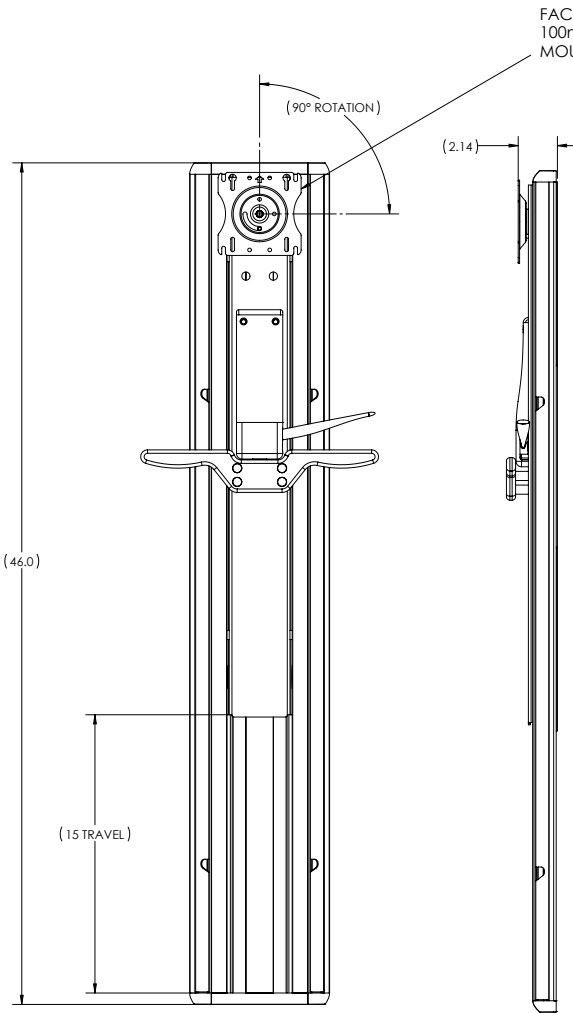
- 15" of height adjustment ergonomically supports the majority of the population, allowing for comfortable interactions and engagement with the screen
- Weight capacity ranges from 1-25 lbs. allowing for installation of tablet sized technology as well as supporting large touch screen integrations
- Its compact design meets ADA requirements of less than 4" of stowed off the wall space enabling installation into high traffic areas

Installs in Minutes

- This product ships pre-assembled resulting in minimal after sale installation requirements saving time and money
- The "Quick Connect" VESA Adapter plate allows for single person, simple technology integrations
- Compatible with accessories, such as a tablet holder

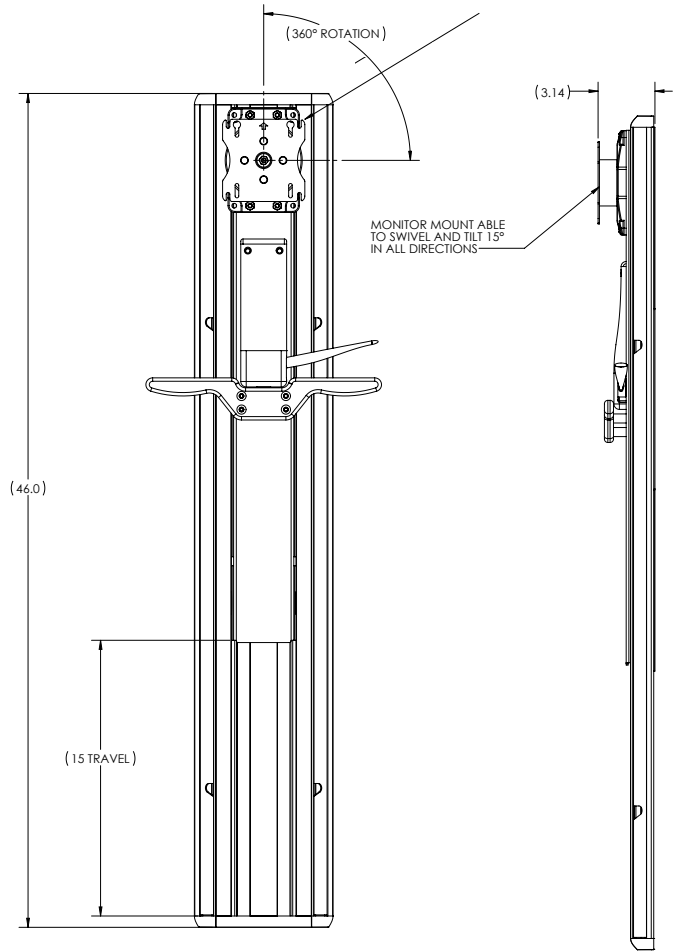
Built for Life

- The Touch Screen Fusion Mount is manufactured of steel, aluminum as well as high density polyethylene materials supporting high performance
- All moving components tested to 20,000 full performance cycle adjustments ensuring continual long term usage
- Manufactured and assembled in the USA reflecting quality production as well as minimal lead times



164000S45

FACEPLATE INCLUDES
100mm VESA, 75mm VESA
MOUNTING PATTERNS



164500S45

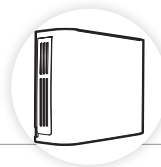
FACEPLATE INCLUDES
100mm VESA, 75mm VESA
MOUNTING PATTERNS

MONITOR MOUNT ABLE
TO SWIVEL AND TILT 15°
IN ALL DIRECTIONS

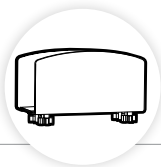
Accessories



iPad® Holder
7803M



CPU Holder
ACCTSCPU81-S



CPU Holder
ACCTSCPU51-S

Touch Screen Fusion Mount

Model	Description	OPM #	Travel	Track Length	Track Width	Weight Capacity	LCD Rotation	LCD Tilt Range	Mounting Standard
164000S45	Touch Screen Fusion Flush Mount	OPM-0084-13	15"	46"	7.65"	1-25 lbs.	90°	—	VESA 75mm/100mm
164500S45	Touch Screen Fusion Pivot Mount	OPM-0084-13	15"	46"	7.65"	1-25 lbs.	360°	15°	VESA 75mm/100mm

