



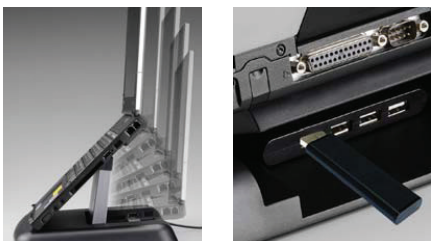
C125

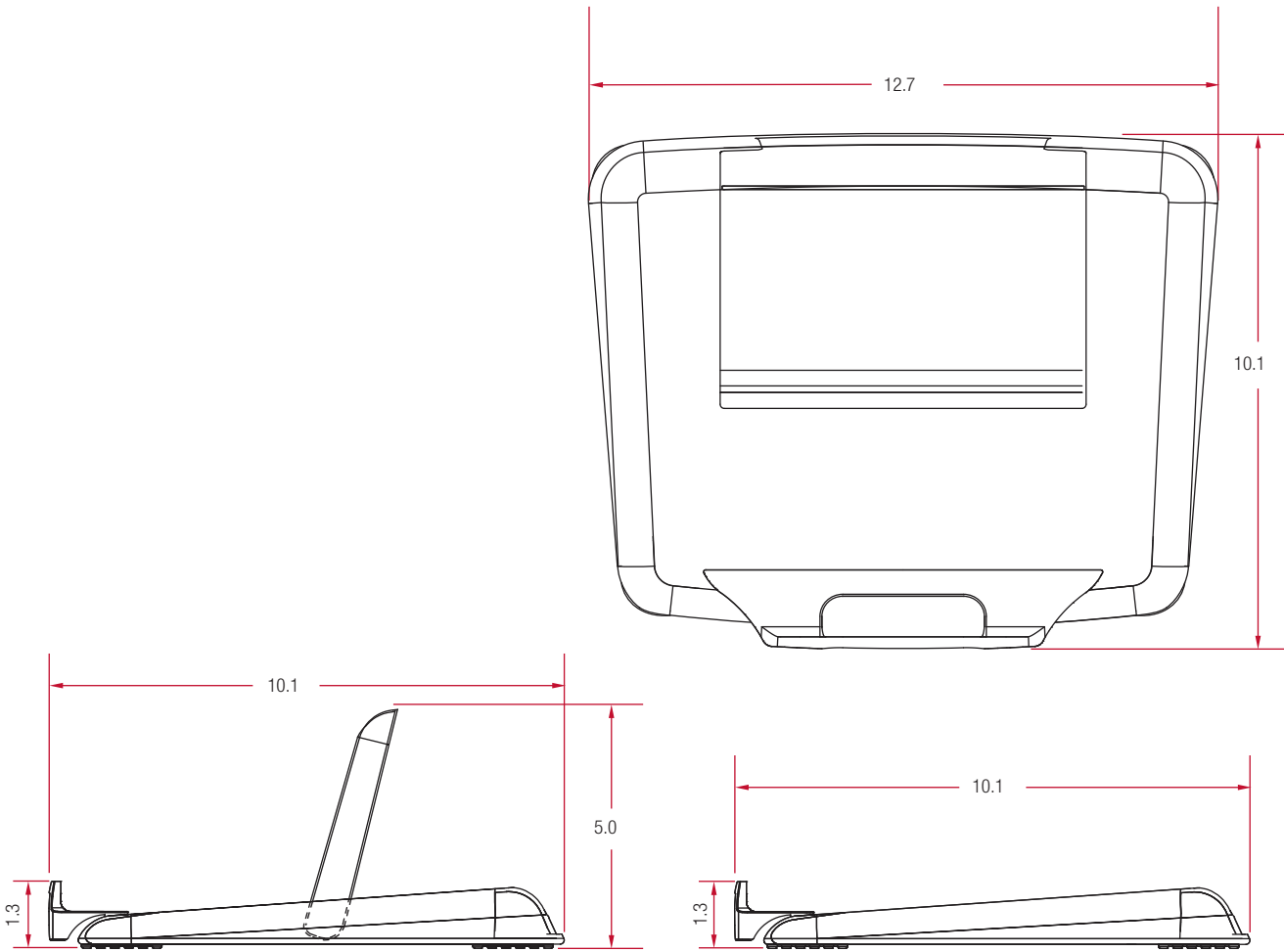
## C125 Laptop Support

A natural accessory to the Knappe & Vogt Waterloo Ergo line, the C125 Laptop Support is adjustable, compact, light and travel-ready. For those needing additional USB ports, the C125 can easily expand a user's capabilities with the added USB hub.

### C125 series

Features	Benefits
Five adjustment angles 4°, 14°, 23°, 33° and 43°	Easy to adjust and allows the laptop screen to be placed at an ergonomically correct viewing angle
Adjustment arm allows unrestricted air flow	Prevents laptop from overheating
Compact size	Easy to store and pack for travel, fits into most computer bags
RoHS compliant	Environmentally friendly, reduces damage to people and environment
Black with grey accents	Aesthetically pleasing design
Four port USB Hub capability powered by Laptop, no external power required	Provides extra USB capacity. No power adapters required.
Fully compliant with universal serial bus specification revision 2.0 (Data rate 1.5/12/480 Mbps)	Handles data flow
LED indicates HUB ready mode	Provides quick visual indicator
Plug & play hot swap function supported	Easy to use
Compatible with: -Windows 7, 98, ME, 2000, XP, VISTA -MAC OS 8, OS 9, OS X 10	Adaptable to most current computer operating systems
Over-current protection for downstream port and is CE/UL/FCC approved	Prevents damage to computer and peripherals



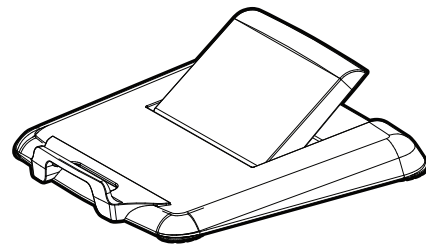


## C125 Laptop Support

### Ancillary Products:

- Laptop support is an ideal complement to any Knape & Vogt Waterloo keyboard arm and Concerto

Model	Length	Width	Tilt Angle	USB Hub	Weight
C125	10.1"	12.7"	4°, 14°, 23°, 33° and 43°	Four port	1.8 lbs



Finish: Black plastic with grey accents  
Code Compliance: C.E./LLC/FCC approved. RoHS Compliant.

Notes: 1. Weight = packaged shipping weight per unit. 2. Specifications are subject to change without notice.



2700 Oak Industrial Dr. NE  
Grand Rapids, MI 49505-6026 USA  
1.800.253.1561 | 616.459.3311  
Fax: 877.636.3290  
[www.kv.com](http://www.kv.com)

This and other KV literature is available for download at [www.kv.com](http://www.kv.com) > Resource Library

Knape & Vogt reserves the right to change product specifications at any time without notice and without incurring responsibility for existing units.  
©2016 Knape & Vogt. KV and the KV logo are trademarks of Knape & Vogt.

OL2474/0517