

Extra-Duty

Outside Diameters: 1-3/16" high & 19/32" wide

Wall Thickness: 1.2mm



880 Series Extra-Duty Oval Closet Rod



880 CHR

Applications For closet or other storage applications requiring a suspended rod hanging items

Load Rating Varies per size*

Mounting Wall or Cabinetry

Material 1.2mm thick cold rolled steel

Finishes Chrome (CHR): Attractive, long-lasting, corrosion resistant finish

- Features**
- Extra-Duty wall thickness: 1.2mm
 - Welded seam
 - Seamless and pit-free
 - Available from open stock

*Contact KV Customer Service for more information

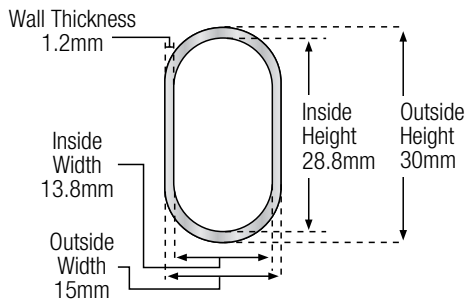
Standard Pack (10/carton)		Chrome (CHR)
Length		
96"	8'	880 CHR 96
144"	12'	880 CHR 144

880 Series Accessories

881 Oval Line Bore Flange

1 screw hole for extra mounting strength.
Two-5mm pins for pre-drilled applications.

Standard Pack (50/box)	
Chrome-look (CHR)	881 CHR



880 Series Extra-Duty Oval Closet Rod



1. Product Name

880 Series Heavy-Duty Oval Closet Rod.

For closet or other storage applications requiring oval closet rods.

2. Manufacturer

Knape & Vogt® Manufacturing Company

2700 Oak Industrial Dr. NE, Grand Rapids, MI USA 49505-6026

616.459.3311 | www.kv.com

3. Product Description

Basic Use: 880 Series Heavy-Duty Oval Tubing are manufactured for closet or other storage applications requiring closet rod support.

Composition and Materials: Steel

Sizes:

Outside Diameter: 30mm tall x 15mm wide

Wall Thickness: 1.2mm

Lengths: 96" and 144"

Finishes: Chrome (CHR)

4. Technical Data

Applicable Standards: Closet Rods are tested to meet or exceed ANSI performance standards as established by BHMA in the Knape & Vogt (KV) recommended application.

These load limits are intended to be used as general guidelines only, and no warranty — expressed or implied — is made by Knape & Vogt.

Results were obtained by laboratory testing in accordance with ANSI/ BHMA A156.9-2003 performance standard.

Representative testing in a fully configured application is the only way to assure proper performance, durability, and safety.

The aforementioned load limit is intended as a guide only and not as a warranty. Actual load bearing capabilities depend upon the type of cabinet/wall material and use of appropriate mounting fasteners, installation technique, and construction.

Environmental Considerations:

Environment: Excessive humidity, salts, or other chemical agents can corrode the finish and attack metal or plastic components.

Fastening: Inadequate or incorrect fasteners can result in the flanges and rods pulling loose and causing damage.

Alignment: Improper closet rod alignment can result in a system that is ineffective and unsafe.

5. Installation

For maximum loading capacity, flanges and closet rod should be mounted into studs or a solid frame. Mark installation locations of flanges and secure them to studs or solid frame. Install closet rod into flanges. Always install additional supports in center of application if closet rod is 5 feet, or 32" intervals into wall studs if longer than 5 feet.

6. Availability and Cost

Availability: Knape & Vogt (KV) products are available from stocking distributors and through KV Representatives worldwide.

Cost: Current pricing is available from area KV Representatives. Please call for the nearest representative at: 1.800.253.1561.

7. Warranty

Limited Lifetime Warranty: Knape & Vogt offers its standard Limited Lifetime Warranty to the initial purchaser of commercial products. This warranty covers defects in materials and workmanship which occur during normal use, and the remedy is limited to repair or replacement of defective products, at KV's option. Certain types of defects and damage are excluded from warranty coverage, costs and expenses are not covered, and additional restrictions apply. A copy of the Limited Lifetime Warranty, with all warranty details, limitations and disclaimers, is available on the Customer Care Connection location at www.kv.com or from KV Customer Service, 2700 Oak Industrial Drive, Grand Rapids, MI 49505, 1.800.253.1561.

8. Maintenance

880 Series Heavy-Duty Oval Closet Rods require no maintenance. Inspect for proper fit periodically and adjust when necessary. Replace as required or recommended by application.

8. Technical Services

Knape & Vogt and area representatives can assist with any application. For further information, or for the name of the representative nearest you, please call Knape & Vogt Customer Service: 1.800.253.1561 or visit our website at: www.kv.com.

10. Filing Systems

Additional product information, data sheets, application sheets, and a full catalog are available upon request from Knape & Vogt.



KNAPE & VOGT.

2700 Oak Industrial Dr. NE

Grand Rapids, MI 49505-6026 USA

1.800.253.1561 | 616.459.3311

Fax: 877.636.3290

www.kv.com

BHMA Knape & Vogt shelving products follow the ANSI testing standards established by BHMA.

This and other KV literature is available for download at www.kv.com > Resource Library
Knape & Vogt reserves the right to change product specifications at any time without notice and without incurring responsibility for existing units. This information conforms to editorial style prescribed by The Construction Specifications Institute.
©2016 Knape & Vogt. KV and the KV logo are trademarks of Knape & Vogt.