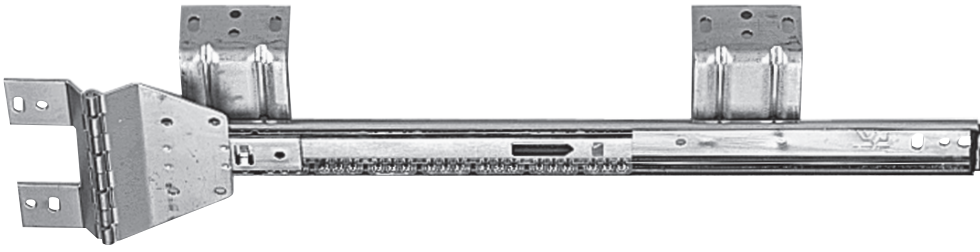


8050 Hinged Door Slide



Features

- One-piece, non-marring roller
- Permanently staked hinge pin

Mounting: Under surface

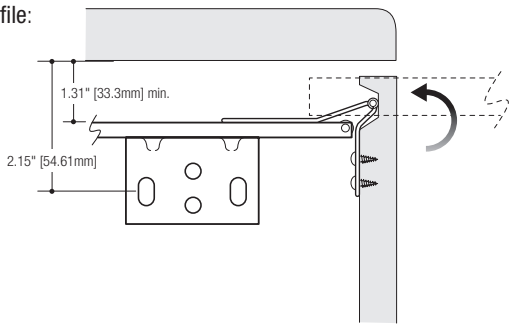
Action: Ball-bearing movement

Load Rating: 20 lb. class

Clearance: 1.31" [33.3mm] minimum

Finish: Anochrome (ANO)


Profile:



Up and under application

Configurations

Poly (P)	1 pair per bag with screws; 10 pairs per carton	
Quantity (Q)	20 pairs without screws; multiple cartons	
8050 Anochrome (ANO) Finish		
Size	Poly (P)	Quantity (Q)
12"	8050PEZ 12	8050QEZ 12
14"	8050PEZ 14	8050QEZ 14
16"	8050PEZ 16	8050QEZ 16
18"	8050PEZ 18	8050QEZ 18
20"	8050PEZ 20	8050QEZ 20
22"	8050PEZ 22	8050QEZ 22
24"	8050PEZ 24	8050QEZ 24

Recommended Fasteners		KV Part	Finish	Qty
	#7 x 1/2" Phillips Pan Head	8500-93	Zinc (ZC)	1000

Non-stock item – minimum order quantities and additional lead time may apply.