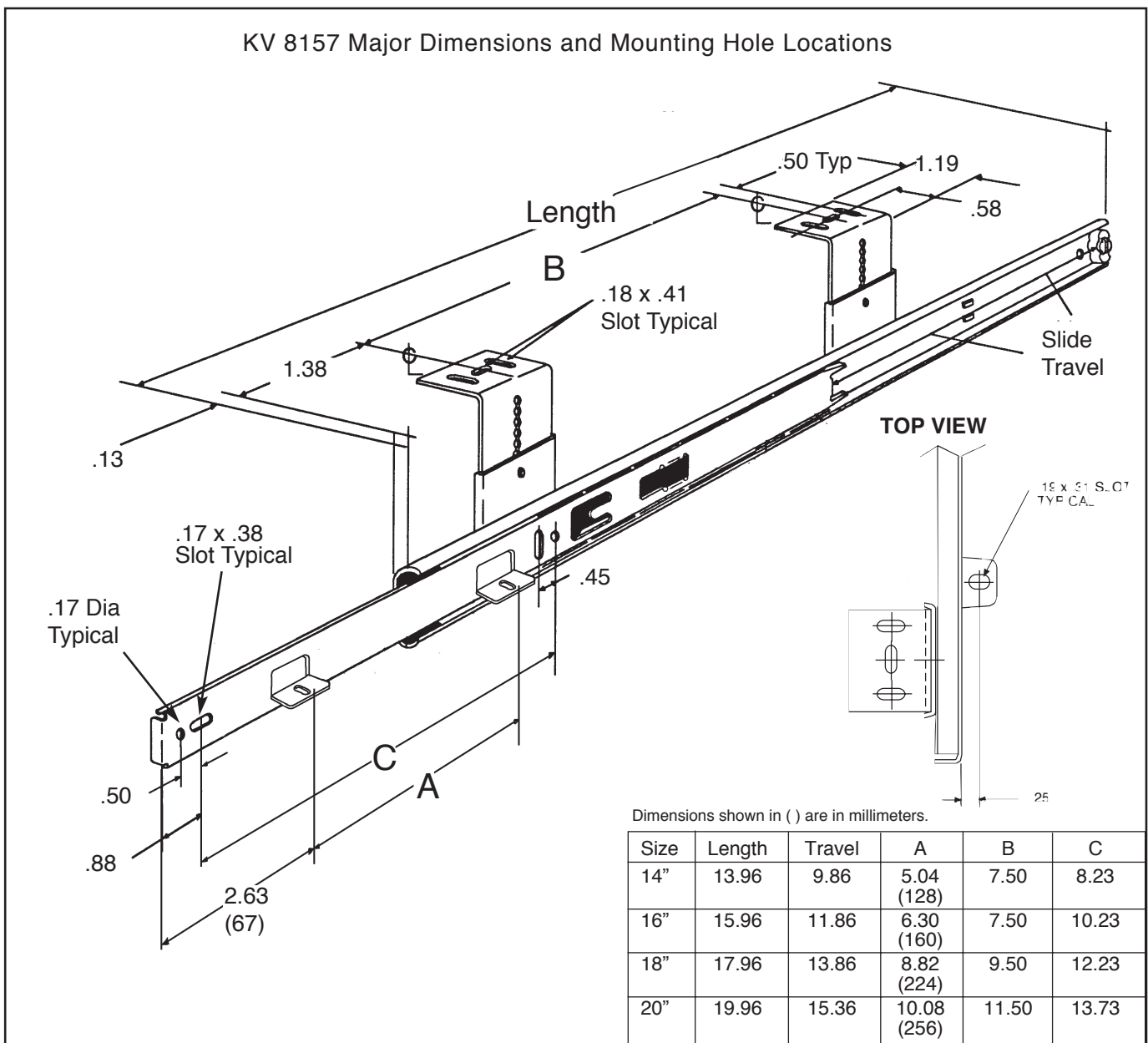




Variable-Height Keyboard Slide

SPECIFICATIONS

- 7 position, adjustable and reversible mounting bracket.
- Friction latch securely holds keyboard in extended position.
- Metal Ball Bearing Retainer and three precision steel ball bearings per inch of race for smooth quiet movement and durability.
- Drawer track member disconnects quickly using positive lever release for easier installation.
- Anti-rebounding, Stay-Close feature holds tray in closed position.
- Electro-plated bright zinc chromate with clear lacquered topcoat for better corrosion resistance and appearance. Black zinc chromate finish available.
- Shelf tabs for mounting tray from bottom surface.



PATENTS PENDING

Installation Instructions for: KV 8157 Variable-Height Keyboard Slide

For Best Results, Read Instructions First!

These instructions show how to install the KV 8157 Keyboard Slide. Please note that improper installation may void the Knape & Vogt Lifetime Limited Warranty. To install the slides correctly, follow these instructions, use only KV hardware, and make no modifications.

Application

- Recommended for keyboards.
- Mounting brackets adjust from 2-11/32" to 3-11/16" in 7/32" increments.
- Maximum keyboard tray width not exceeding 24 inches.
- Cabinet members must be mounted parallel to each other and perpendicular to the work surface front.
- Use #8 x 5/8" Pan Head screws KV part number 200114-6 to mount slide to surface and tray. Use #8 x 1/4" thread cutting screws KV part number 200147 to secure adjustable brackets at desired height.
- Consult factory for advice on unusual applications. Please note that installation may vary dependent upon the particular application.
- Where your products may be used in BIFMA, KCMA or other applications that are subject to industry standards, the drawer slide you select for usage should be tested within the application and in accordance with the appropriate industry standard. If you have questions or need additional information, please contact Knape & Vogt at the address indicated.

Installation

Step 1. Part Preparation and Identification.

Unpack the slides and identify the left hand and right hand slides. The mounting plates are welded to the outside of the (larger) cabinet members. The keyboard tray will fit flush against the side of the (smaller) drawer members. The drawer members are handed as the shelf tabs are not symmetrical. The drawer members are stamped "DR" (drawer right) and "DL" (drawer left) for easier identification. See **Figure 1**. The right angle mounting brackets are packaged with left and right hand slides unattached.

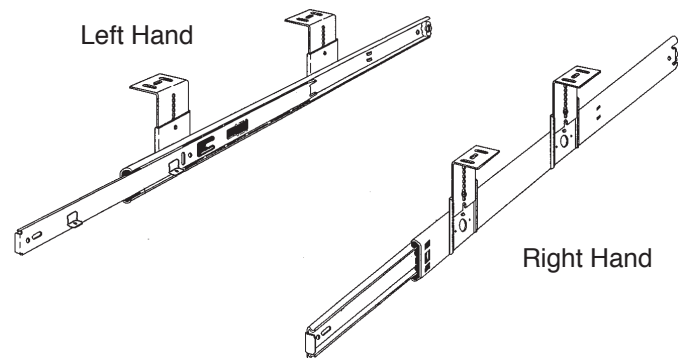


Figure 1.

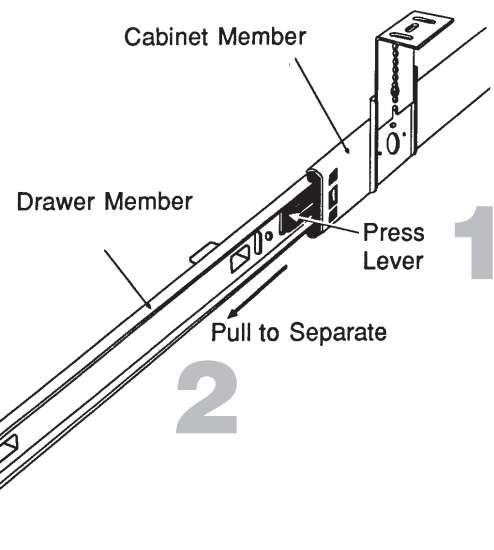


Figure 2.

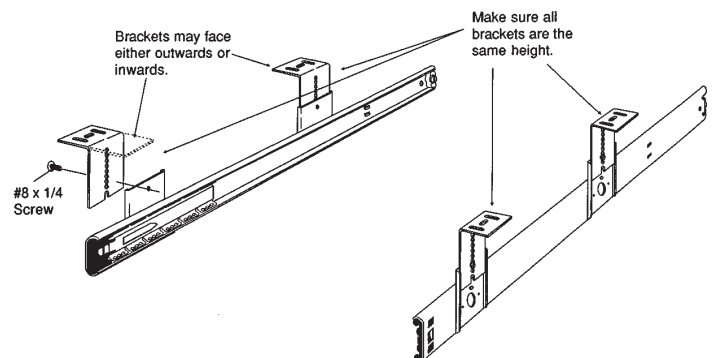


Figure 3.

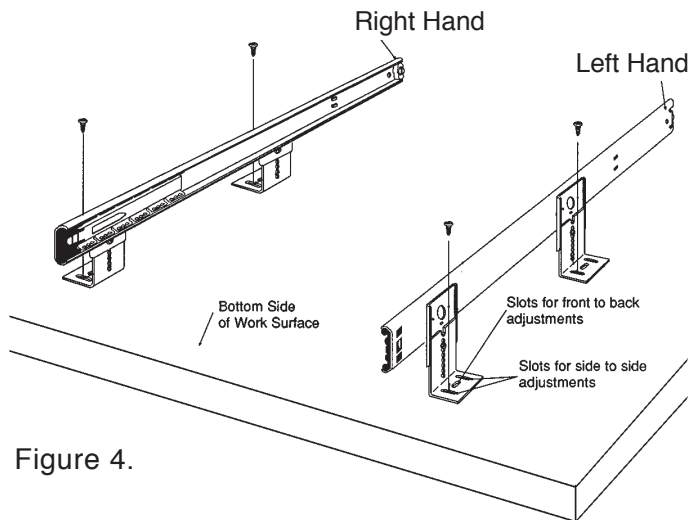


Figure 4.

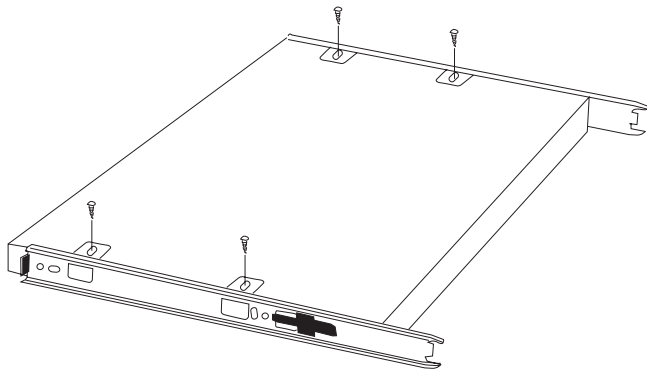


Figure 5.

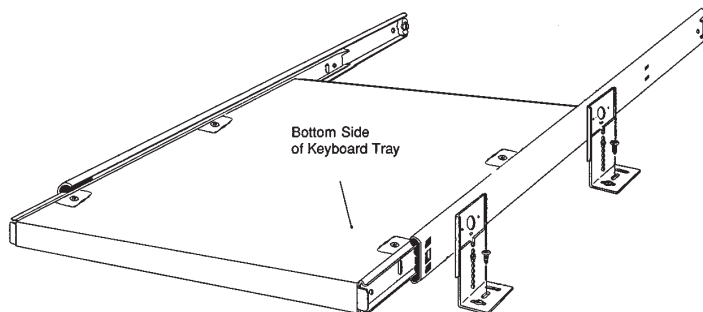


Figure 6.

Step 2. Separate Parts.

Press the lever and pull to separate the cabinet and drawer members as shown in **Figure 2**.

Step 3. Adjust Brackets.

Set the adjustable brackets to the desired height as shown in **Figure 3**. The brackets may face either inwards or outwards. See diagram on back page for height dimension.

Step 4. Install Cabinet Members.

Mount the cabinet members to the underside of the case as shown in **Figure 4**. Refer to drawing on back cover for mounting hole dimensions. Hole location varies dependent on whether the brackets face inwards or outwards. Fasten screws only through the front slotted holes. Additional screws must be added through the other holes after final adjustment.

NOTE: The center slotted holes are for front-to-back adjustment. The other slotted holes are for side to side adjustment.

Step 5. Install Drawer Members.

Mount the drawer members to the bottom surface of the keyboard tray as shown in **Figure 5**. Refer to drawing on front cover for mounting hole dimensions. Fasten screws only through the slotted holes. Additional screws may be added through the round holes after final adjustment.

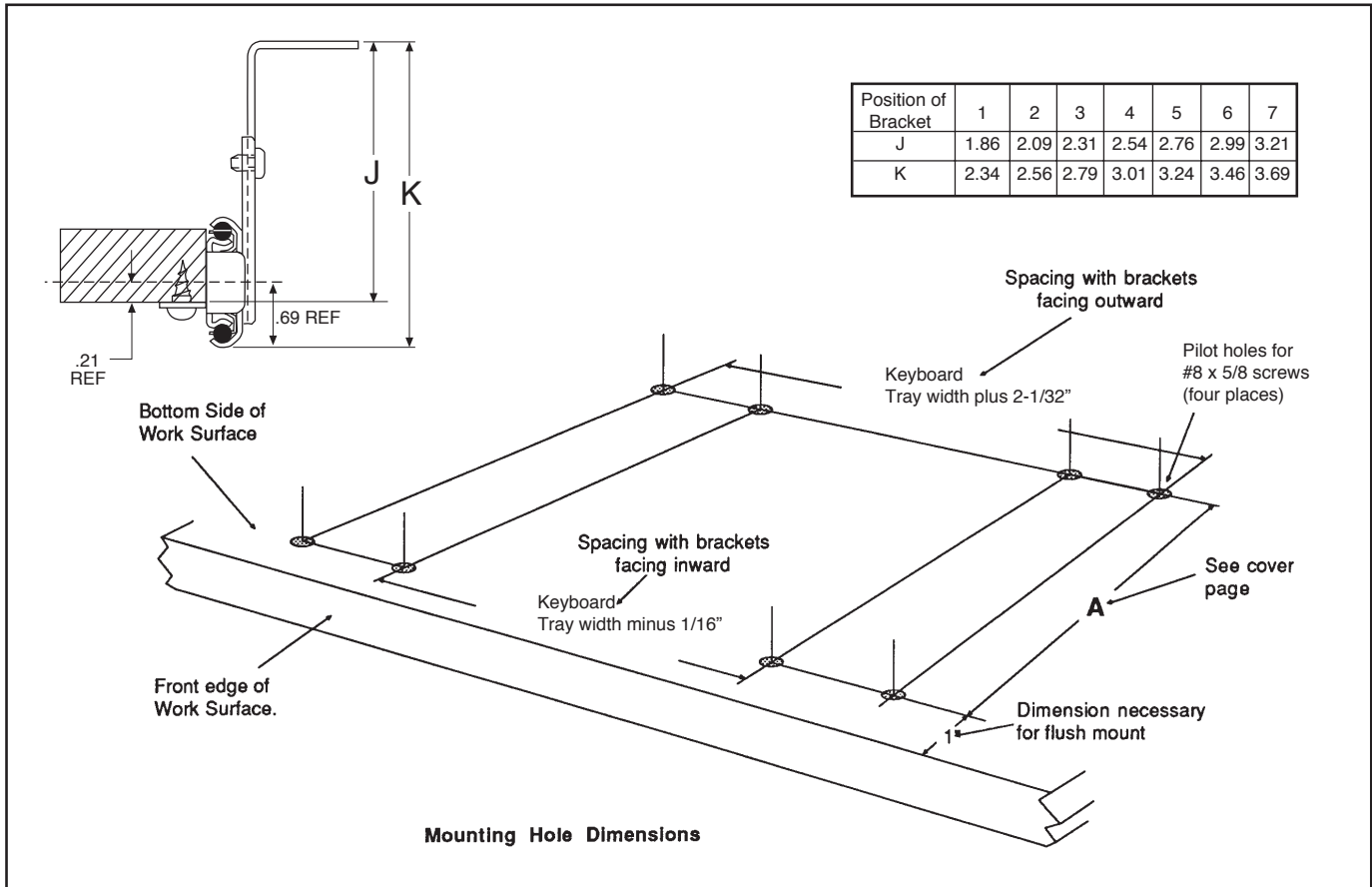
Step 6. Assembly.

First, check that the ball retainers are held in the forward position. Insert the drawer members into the cabinet members as shown in **Figure 6**. Close the drawer completely. The force to close the drawer may be more than normal the last few inches, as the ball bearings must slip into the correct synchronous position.

Step 7. Check and Adjust Installation.

Open the drawer and check for proper operation. Make adjustments as needed. Then install additional screws in the round holes if desired. Securely tighten all screws.

Major Dimensions, Mounting Hole Locations and Adjustable Bracket Settings.



Limited Lifetime Warranty

Knapé & Vogt Manufacturing Company guarantees its drawer slides and builder's hardware products against failure or defects for so long as the purchaser or end user owns them. This warranty is void if any damage to the product is due to misuse, abuse, neglect, accident, improper installation or any uses contrary to the instructions accompanying the product. This warranty covers the cost of the defective part and not the cost of removal, installation or other incidental charges. The foregoing are the purchaser's exclusive remedies. Knapé & Vogt Manufacturing Company assumes no liability for special or consequential damages.

Replacement product may be obtained by returning the product, transportation charges prepaid, together with a receipt of purchase or other documents acknowledging the sale of the product, addressed to the Knapé & Vogt Manufacturing Company, Attention: Customer Services Department.

The warranty set forth above is in lieu of any other warranties, express or implied, including warranties of merchantability and fitness for use.



2700 Oak Industrial Drive NE
 Grand Rapids, Michigan 49505 USA
 Phone: 616-459-3311
 Fax: 616-459-3290
 Telex: 22-6317