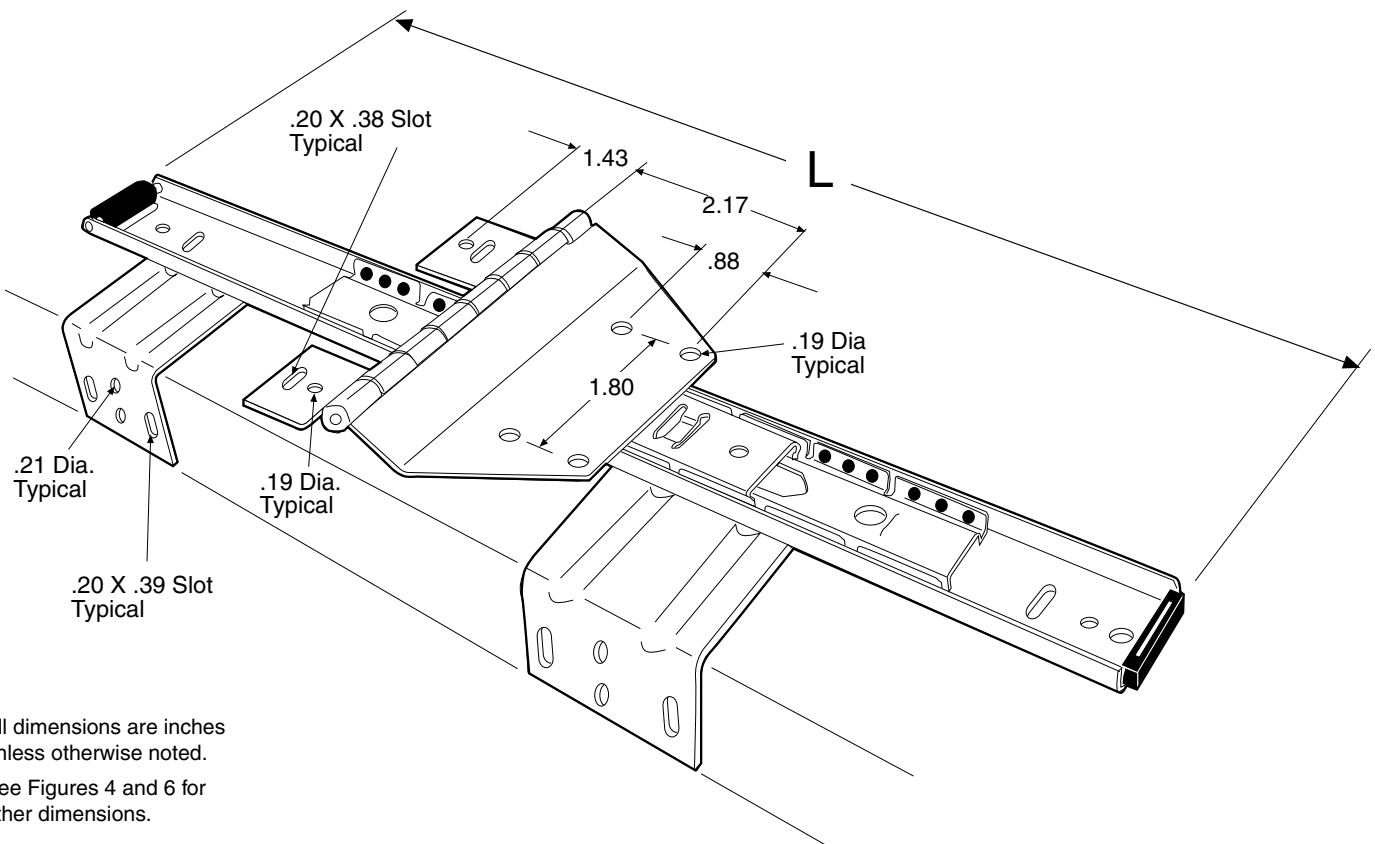


## Three-Quarter Extension Drawer Slide

### SPECIFICATIONS

- Thin 3/8" slide profile mounts inside cabinet.
- Rugged hinge for 3/4" door thickness with permanently staked pin.
- Hinge has built in stop at 90° rotation to help prevent door face from scraping underside of cabinet top.
- Mounting brackets welded to slide at factory.
- Triple precision steel ball bearing movement.
- Metal Ball Bearing Retainer for durability and quiet operation.
- Electro-plated bright zinc chromate with clear lacquered topcoat for better corrosion resistance and appearance. Black zinc chromate finish available.

### Major Dimensions and Mounting Hole Locations



All dimensions are inches unless otherwise noted.

See Figures 4 and 6 for other dimensions.

SLIDE	L	TRAVEL
12	11.96	8.5
14	13.96	10.5
16	15.96	12.5
18	17.96	13.5
20	19.96	15.5
22	21.96	17.5
24	23.96	19.5

PATENTS PENDING

# Installation Instructions for: KV 8050 Three Quarter Extension Drawer Slide

## **For Best Results, Read Instructions First!**

These instructions show how to install the KV 8050 Hinged Door Slide. Please note that improper installation may void the Knap & Vogt Limited Lifetime Warranty. To install the slides correctly, follow these instructions, use only KV hardware, and make no modifications.

## **Application**

- Recommended for use on "Up and Under" type hinged doors.
- Recommended for 3/4 inch minimum door thickness. Thicker doors require larger top gap.
- Minimum gap above the door is 3/16 inch approximately the thickness of two nickels.
- Maximum weight of door not to exceed 20 pounds per pair.
- Maximum width not to exceed 48 inches and maximum height not to exceed 24 inches.
- Slide mounts to inside of cabinet end panels. Requires 2-5/8 inches space in top of cabinet.
- Use #7 or #8 Pan Head screws such as KV #200114-6.
- Consult factory for advice on unusual applications. Please note that installation may vary dependent upon the particular application.
- Where your products may be used in BIFMA, KCMA or other applications that are subject to industry standards, the drawer slide you select for usage should be tested within the application and in accordance with the appropriate industry standard. If you have questions or need additional information, please contact Knap & Vogt at the address indicated.

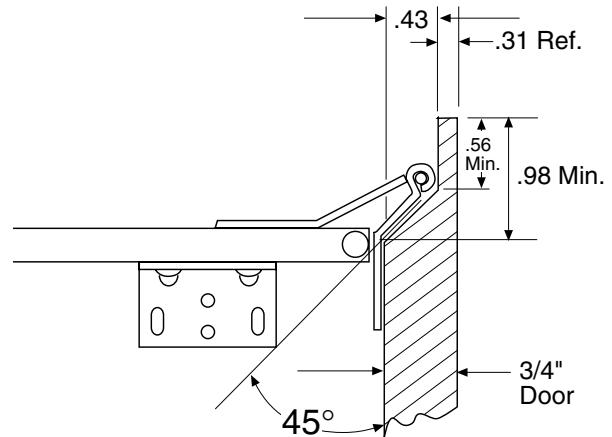
## **Installation**

### **Step 1. Door Preparation.**

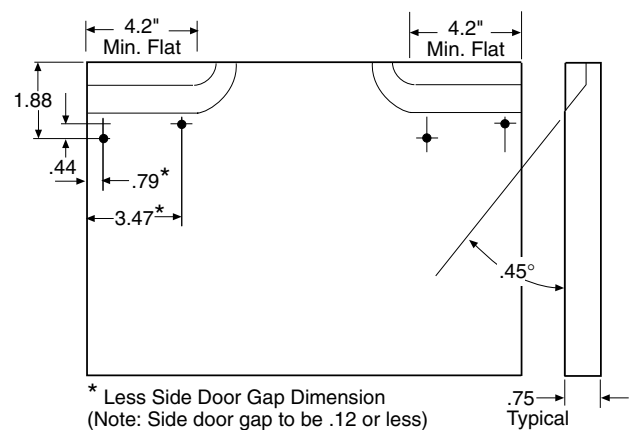
The door must be prepared to accept the hinges. Route grooves in the rear side of the door as shown in **Figure 1**.

Location of the hinges is a fixed dimension from the edge of the door, including the desired door gap. See **Figure 2**.

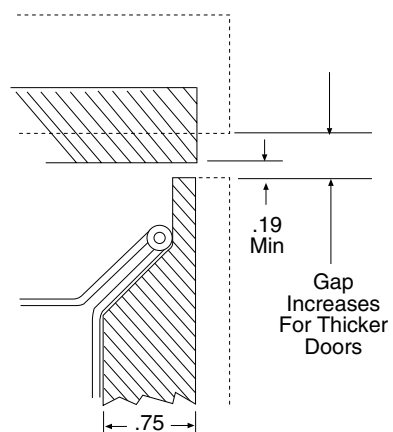
The spacing of the groove from the top of the door is dependent on door thickness. A 45° chamfer is recommended to maximize support for the door face. Increasing the door thickness will require a larger gap at the top of the door. See **Figure 3**.



**Figure 1.**



**Figure 2.**



**Figure 3.**

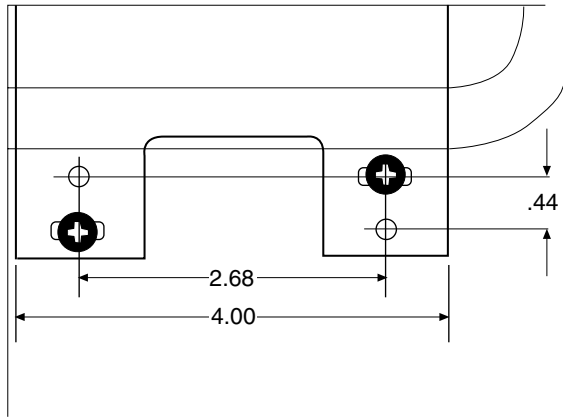


Figure 4.

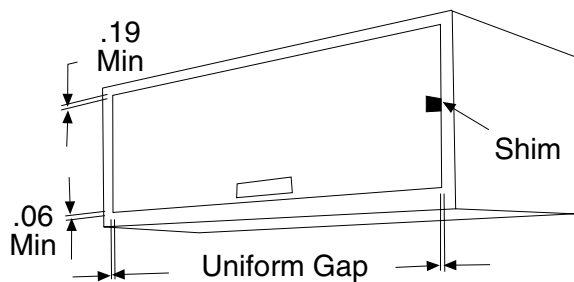
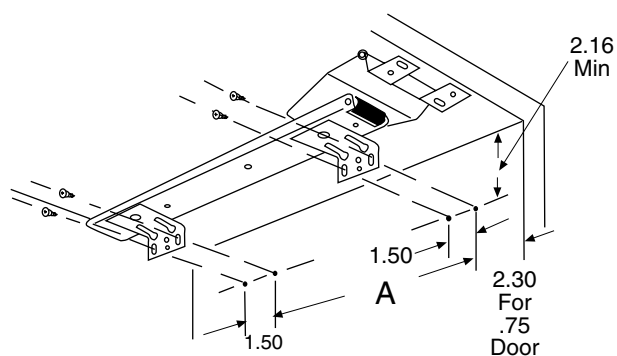


Figure 5.



Size	12	14	16	18	20	22	24
A	6.38	7.38	9.38	11.38	13.38	14.38	17.38

Figure 6.

**Step 2. Install Hinges to Door.**

Mount the hinges in the grooves, using #8 screws, as shown in **Figure 4**.

**Step 3. Locate Slides Based on Door Gap.**

Use a shim with a thickness equal to the desired door gap to space the slides in the correct mounting position, as shown in **Figure 5**.

**Step 4. Install Slides to Cabinet.**

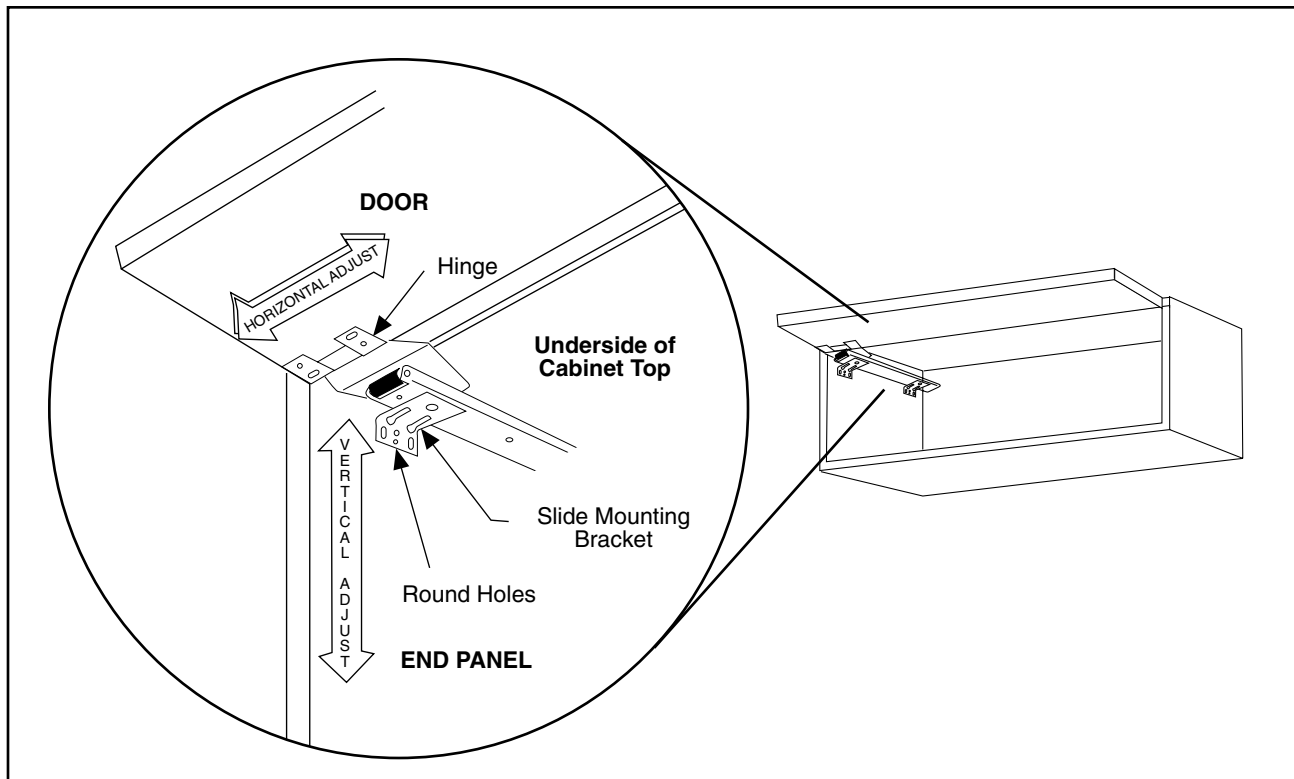
Mount the slides to the cabinet as shown in **Figure 6**. Install screws in the slotted holes only prior to adjustments.

**Step 5. Check and Adjust Installation.**

Check operation of door and make adjustments as needed. Move the door side-to-side to obtain the desired side gaps as shown in **Figure 5**.

**Step 6. Secure.**

Install remaining screws in round holes of slide mounting brackets and hinges to fix in desired position and thoroughly tighten remaining screws.



### **Limited Lifetime Warranty**

Knapé & Vogt Manufacturing Company guarantees its drawer slides and builder's hardware products against failure or defects for so long as the purchaser or end user owns them. This warranty is void if any damage to the product is due to misuse, abuse, neglect, accident, improper installation or any uses contrary to the instructions accompanying the product. This warranty covers the cost of the defective part and not the cost of removal, installation or other incidental charges. The foregoing are the purchaser's exclusive remedies. Knapé & Vogt Manufacturing Company assumes no liability for special or consequential damages.

Replacement product may be obtained by returning the product, transportation charges prepaid, together with a receipt of purchase or other documents acknowledging the sale of the product, addressed to the Knapé & Vogt Manufacturing Company, Attention: Customer Service Department.

The warranty set forth above is in lieu of any other warranties, express or implied, including warranties of merchantability and fitness for use.



2700 Oak Industrial Drive NE

Grand Rapids, Michigan 49505 USA

Phone: 616-459-3311

Fax: 616-459-3290

Telex: 22-6317

Information subject to change without notice.